

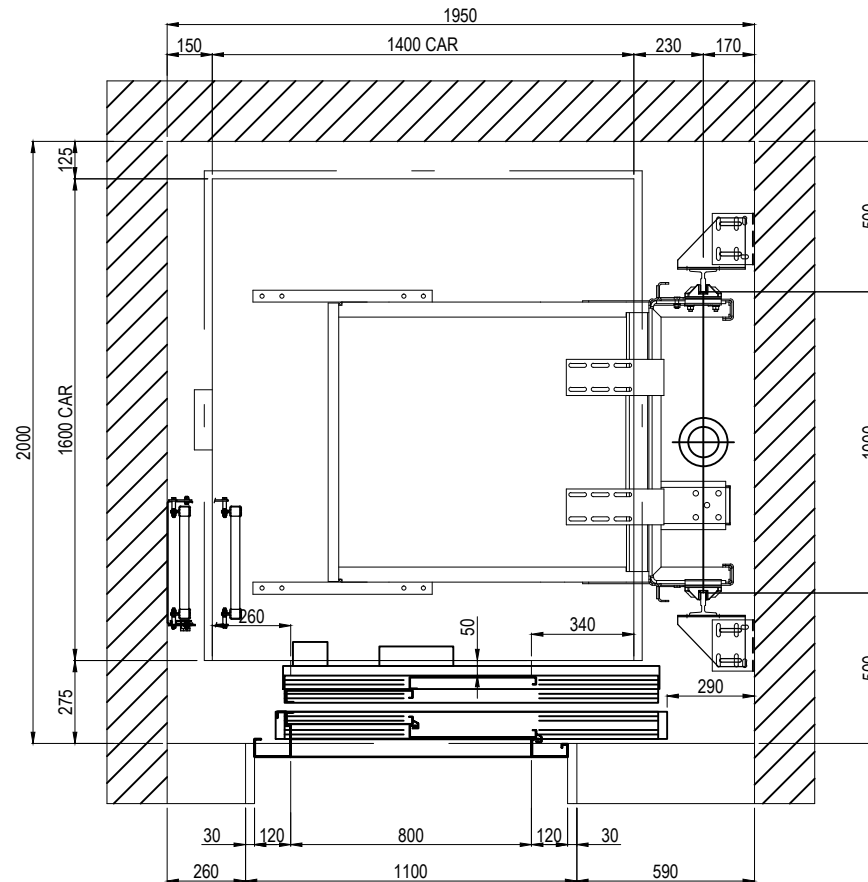


An independent family business since 1867

**Stannah**

# Maxilift 2.0

13 Person (1000kg)  
2S 800 Doors (car size 1400w x 1600d)  
Hydraulic Machine Room



APPROVED 19/02/15

**Waiver:**  
This data sheet is for guidance only and must not be used for proper working drawings. Please contact Stannah Lifts for particular details before proceeding. Owing to our policy of continual improvement we reserve the right to alter specifications and dimensions without prior notice

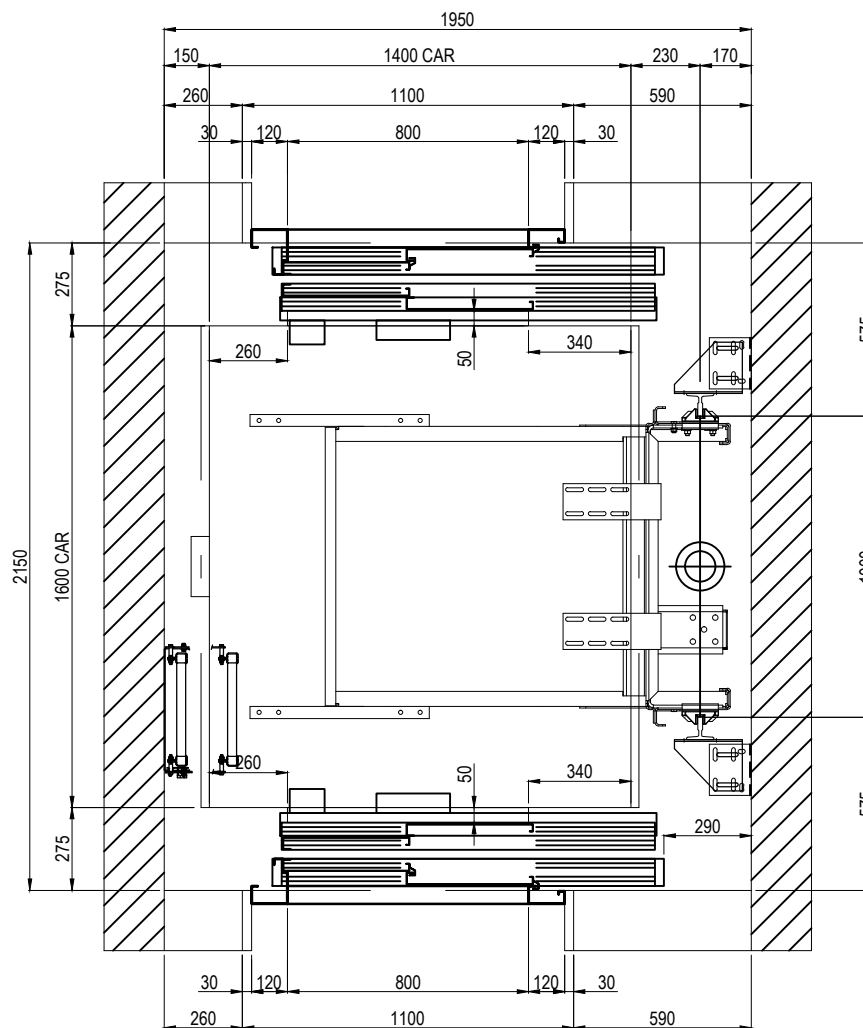
Stannah Lifts Ltd.  
Anton Mill, Andover, Hampshire. SP10 2NX  
Tel: 01264 339090  
[www.stannahlifts.co.uk](http://www.stannahlifts.co.uk)



An independent family business since 1867

# Stannah

## Maxilift 2.0 13 Person (1000kg) 2S 800 Doors Through Car (car size 1400w x 1600d) Hydraulic Machine Room



**Waiver:**

This data sheet is for guidance only and must not be used for proper working drawings. Please contact Stannah Lifts for particular details before proceeding. Owing to our policy of continual improvement we reserve the right to alter specifications and dimensions without prior notice

APPROVED 19/02/15

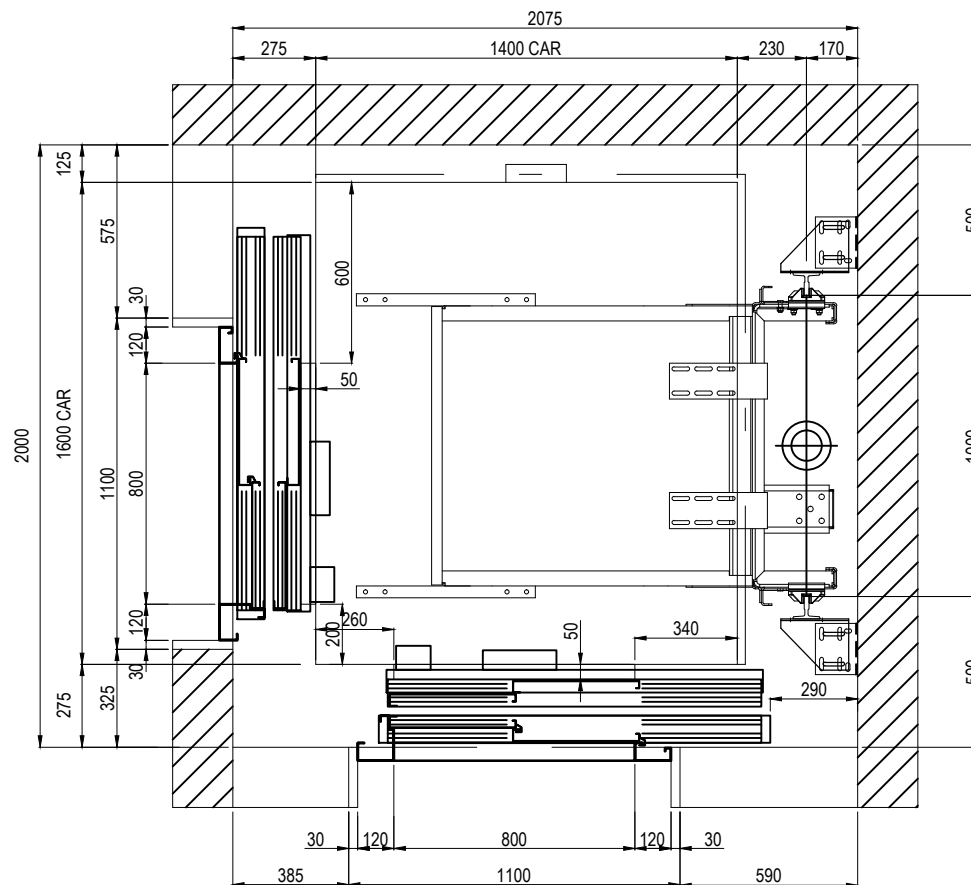
Stannah Lifts Ltd.  
Anton Mill, Andover, Hampshire. SP10 2NX  
Tel: 01264 339090  
[www.stannahlifts.co.uk](http://www.stannahlifts.co.uk)



An independent family business since 1867

# Stannah

## Maxilift 2.0 13 Person (1000kg) 2S 800 Doors Adjacent Car (car size 1400w x 1600d) Hydraulic Machine Room



### Waiver:

This data sheet is for guidance only and must not be used for proper working drawings. Please contact Stannah Lifts for particular details before proceeding. Owing to our policy of continual improvement we reserve the right to alter specifications and dimensions without prior notice

APPROVED 10/10/14

Stannah Lifts Ltd.  
Anton Mill, Andover, Hampshire. SP10 2NX  
Tel: 01264 339090  
[www.stannahlifts.co.uk](http://www.stannahlifts.co.uk)

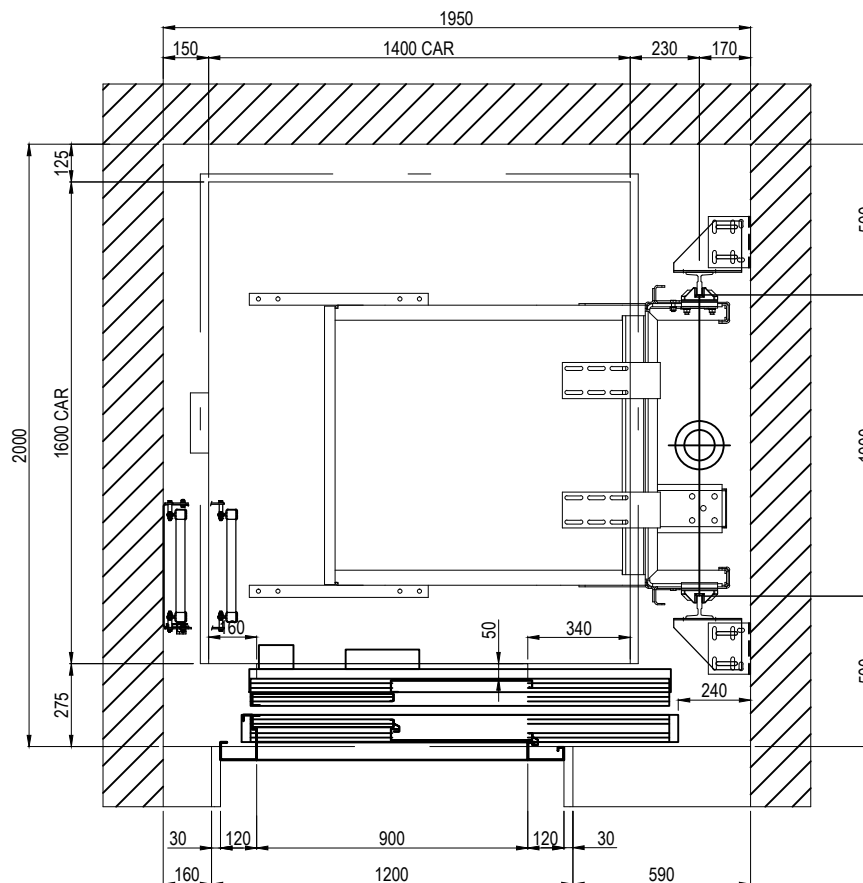


An independent family business since 1867

**Stannah**

# Maxilift 2.0

13 Person (1000kg)  
2S 900 Doors (car size 1400w x 1600d)  
Hydraulic Machine Room



APPROVED 19/02/15

**Waiver:**  
This data sheet is for guidance only and must not be used for proper working drawings. Please contact Stannah Lifts for particular details before proceeding. Owing to our policy of continual improvement we reserve the right to alter specifications and dimensions without prior notice

Stannah Lifts Ltd.  
Anton Mill, Andover, Hampshire. SP10 2NX  
Tel: 01264 339090  
[www.stannahlifts.co.uk](http://www.stannahlifts.co.uk)



An independent family business since 1867

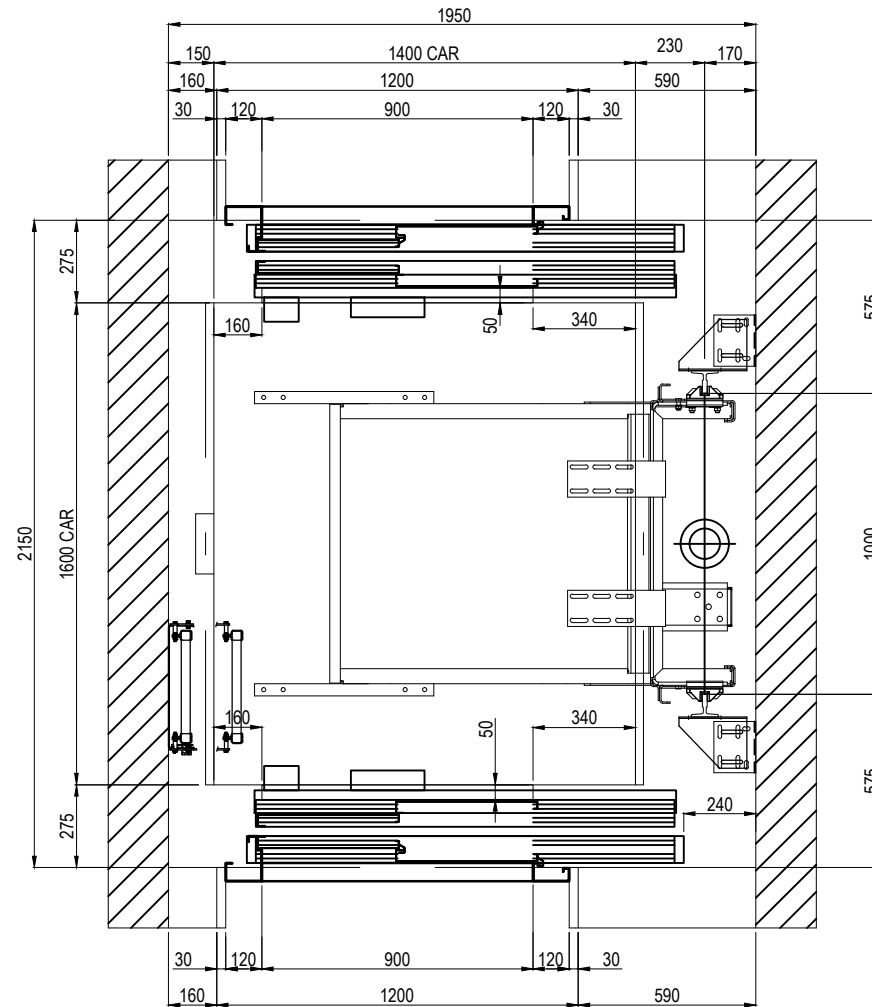
**Stannah**

# Maxilift 2.0

## 13 Person (1000kg)

### 2S 900 Doors Through Car (car size 1400w x 1600d)

### Hydraulic Machine Room



**Waiver:**

This data sheet is for guidance only and must not be used for proper working drawings. Please contact Stannah Lifts for particular details before proceeding. Owing to our policy of continual improvement we reserve the right to alter specifications and dimensions without prior notice

APPROVED 19/02/15

Stannah Lifts Ltd.  
Anton Mill, Andover, Hampshire. SP10 2NX  
Tel: 01264 339090  
[www.stannahlifts.co.uk](http://www.stannahlifts.co.uk)



An independent family business since 1867

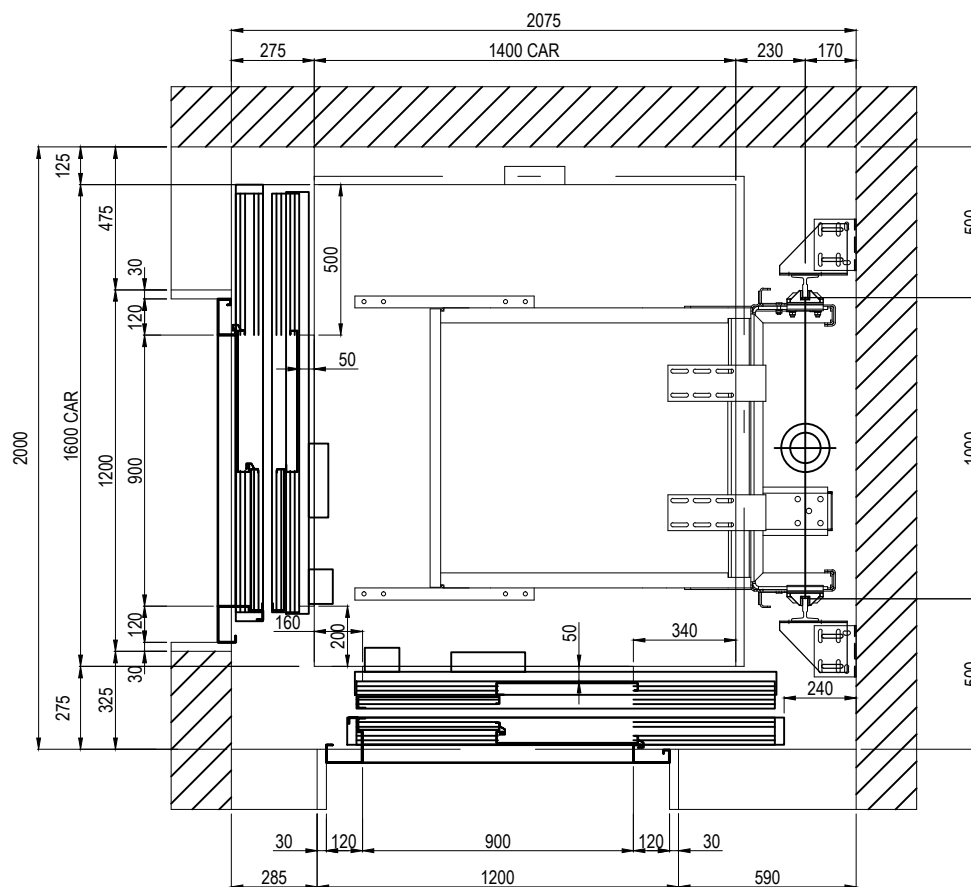
**Stannah**

# Maxilift 2.0

## 13 Person (1000kg)

### 2S 900 Doors Adjacent Car (car size 1400w x 1600d)

### Hydraulic Machine Room



Waiver:

This data sheet is for guidance only and must not be used for proper working drawings. Please contact Stannah Lifts for particular details before proceeding. Owing to our policy of continual improvement we reserve the right to alter specifications and dimensions without prior notice

APPROVED 10/10/14

Stannah Lifts Ltd.  
Anton Mill, Andover, Hampshire. SP10 2NX  
Tel: 01264 339090  
[www.stannahlifts.co.uk](http://www.stannahlifts.co.uk)

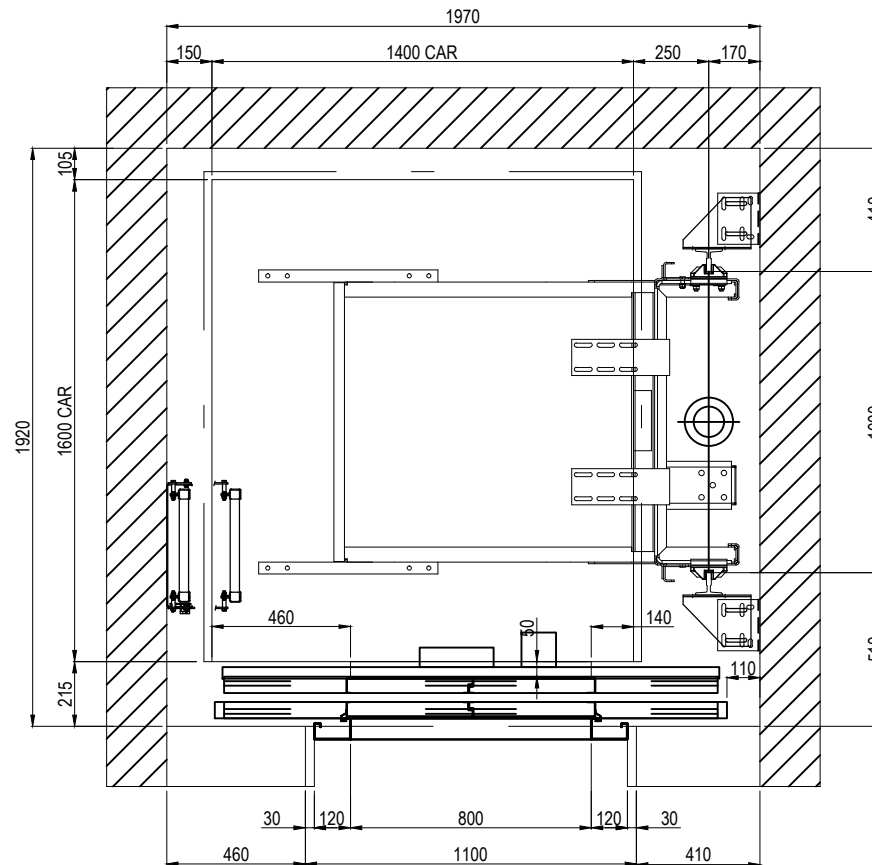


An independent family business since 1867

**Stannah**

# Maxilift 2.0

13 Person (1000kg)  
2C 800 Doors (car size 1400w x 1600d)  
Hydraulic Machine Room



**Waiver:**

This data sheet is for guidance only and must not be used for proper working drawings. Please contact Stannah Lifts for particular details before proceeding. Owing to our policy of continual improvement we reserve the right to alter specifications and dimensions without prior notice

**APPROVED 19/02/15**

**Stannah Lifts Ltd.**  
**Anton Mill, Andover, Hampshire. SP10 2NX**  
**Tel: 01264 339090**  
**www.stannahlifts.co.uk**



An independent family business since 1867

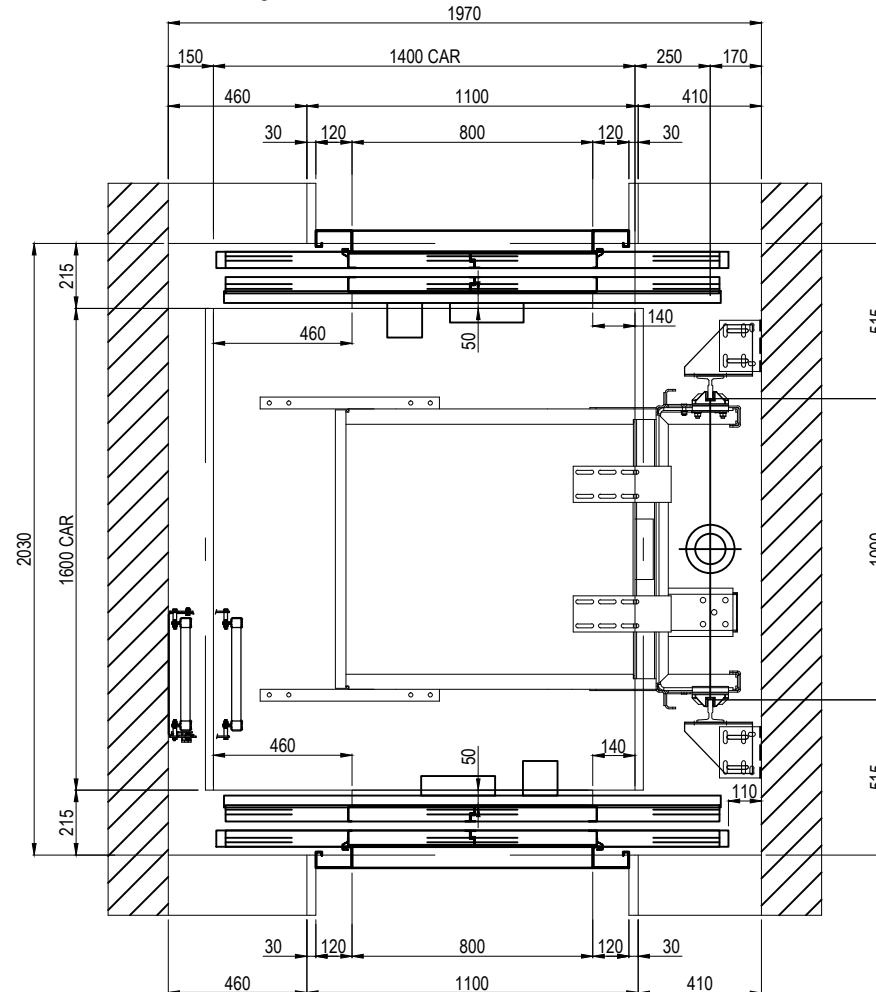
**Stannah**

# Maxilift 2.0

## 13 Person (1000kg)

### 2C 800 Doors Through Car (car size 1400w x 1600d)

### Hydraulic Machine Room



**Waiver:**

This data sheet is for guidance only and must not be used for proper working drawings. Please contact Stannah Lifts for particular details before proceeding. Owing to our policy of continual improvement we reserve the right to alter specifications and dimensions without prior notice

APPROVED 19/02/15

Stannah Lifts Ltd.  
Anton Mill, Andover, Hampshire. SP10 2NX  
Tel: 01264 339090  
[www.stannahlifts.co.uk](http://www.stannahlifts.co.uk)



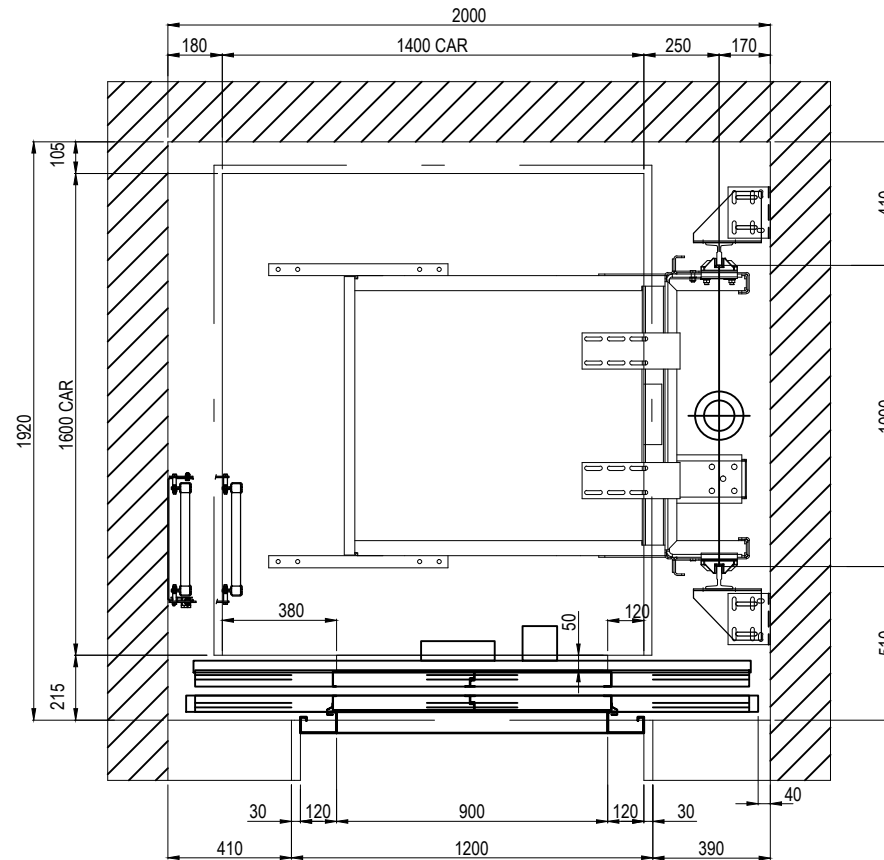


An independent family business since 1867

**Stannah**

# Maxilift 2.0

13 Person (1000kg)  
2C 900 Doors (car size 1400w x 1600d)  
Hydraulic Machine Room



**Waiver:**

This data sheet is for guidance only and must not be used for proper working drawings. Please contact Stannah Lifts for particular details before proceeding. Owing to our policy of continual improvement we reserve the right to alter specifications and dimensions without prior notice

APPROVED 19/02/15

Stannah Lifts Ltd.  
Anton Mill, Andover, Hampshire. SP10 2NX  
Tel: 01264 339090  
[www.stannahlifts.co.uk](http://www.stannahlifts.co.uk)



An independent family business since 1867

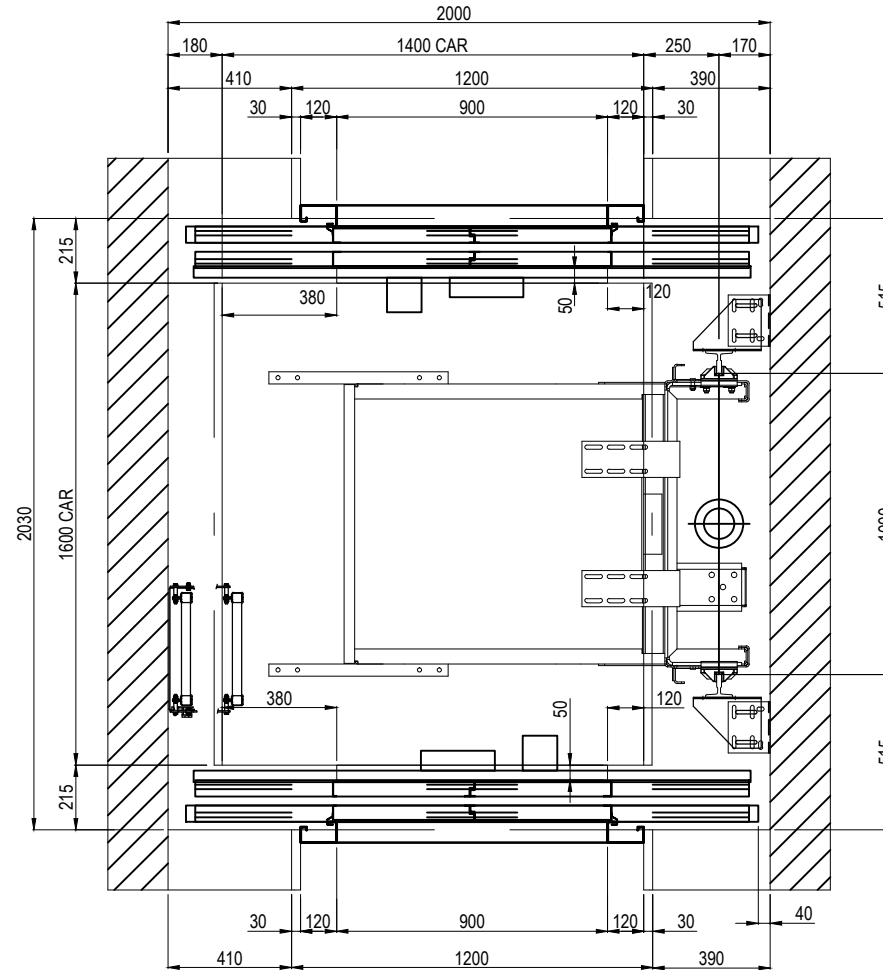
**Stannah**

# Maxilift 2.0

## 13 Person (1000kg)

### 2C 900 Doors Through Car (car size 1400w x 1600d)

### Hydraulic Machine Room



**Waiver:**

This data sheet is for guidance only and must not be used for proper working drawings. Please contact Stannah Lifts for particular details before proceeding. Owing to our policy of continual improvement we reserve the right to alter specifications and dimensions without prior notice

**APPROVED 19/02/15**

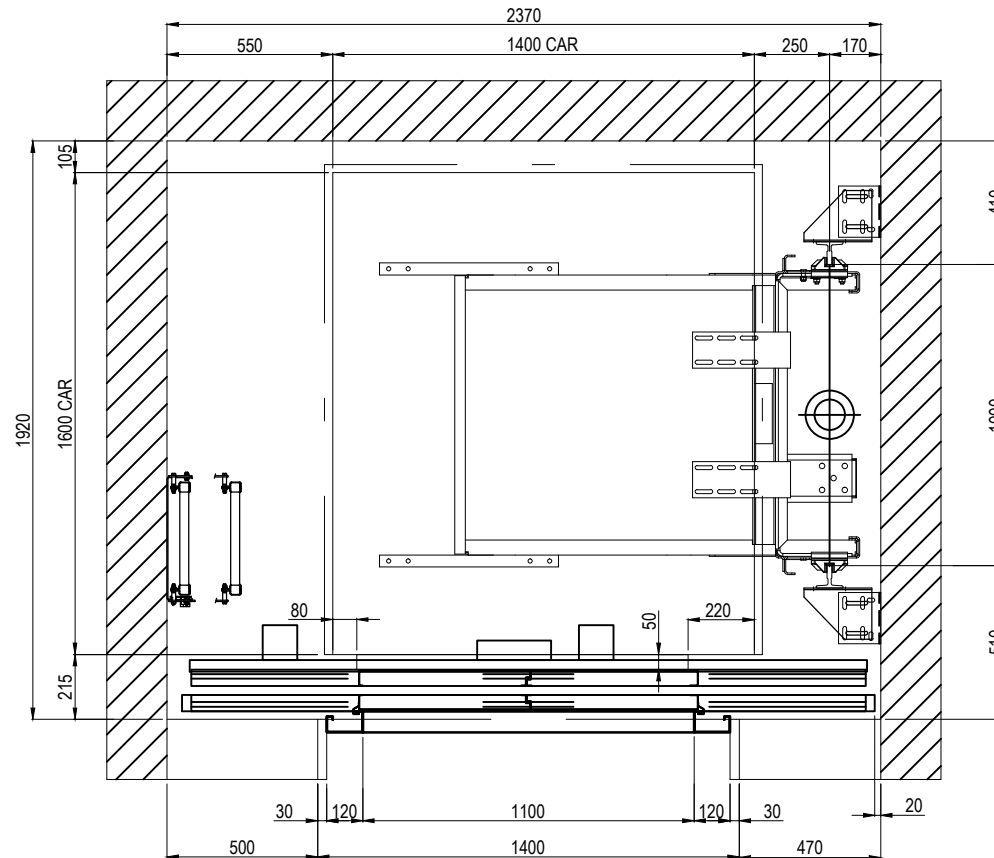
**Stannah Lifts Ltd.**  
**Anton Mill, Andover, Hampshire. SP10 2NX**  
**Tel: 01264 339090**  
**www.stannahlifts.co.uk**



An independent family business since 1867

# Stannah

## Maxilift 2.0 13 Person (1000kg) 2C 1100 Doors (car size 1400w x 1600d) Hydraulic Machine Room



### Waiver:

This data sheet is for guidance only and must not be used for proper working drawings. Please contact Stannah Lifts for particular details before proceeding. Owing to our policy of continual improvement we reserve the right to alter specifications and dimensions without prior notice

APPROVED 19/02/15

Stannah Lifts Ltd.  
Anton Mill, Andover, Hampshire. SP10 2NX  
Tel: 01264 339090  
[www.stannahlifts.co.uk](http://www.stannahlifts.co.uk)

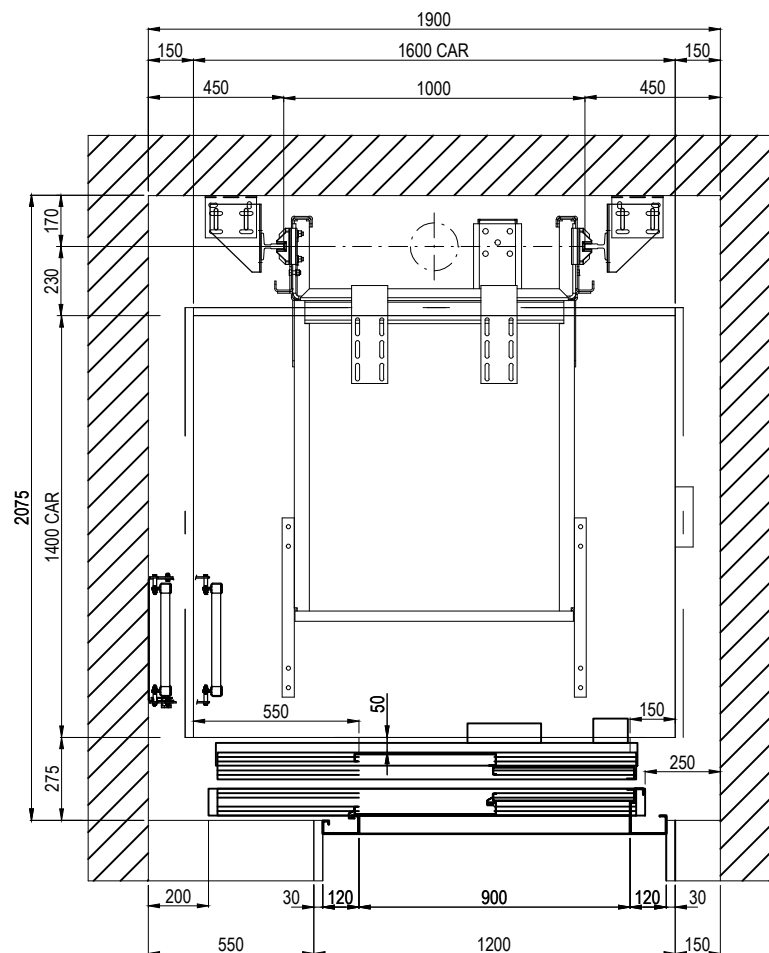


An independent family business since 1867

# Stannah

## Maxilift 2.0

13 Person (1000kg)  
2S 900 Doors (car size 1600w x 1400d)  
Hydraulic Machine Room



**Waiver:**

This data sheet is for guidance only and must not be used for proper working drawings. Please contact Stannah Lifts for particular details before proceeding. Owing to our policy of continual improvement we reserve the right to alter specifications and dimensions without prior notice

APPROVED 19/02/15

Stannah Lifts Ltd.  
Anton Mill, Andover, Hampshire. SP10 2NX  
Tel: 01264 339090  
[www.stannahlifts.co.uk](http://www.stannahlifts.co.uk)

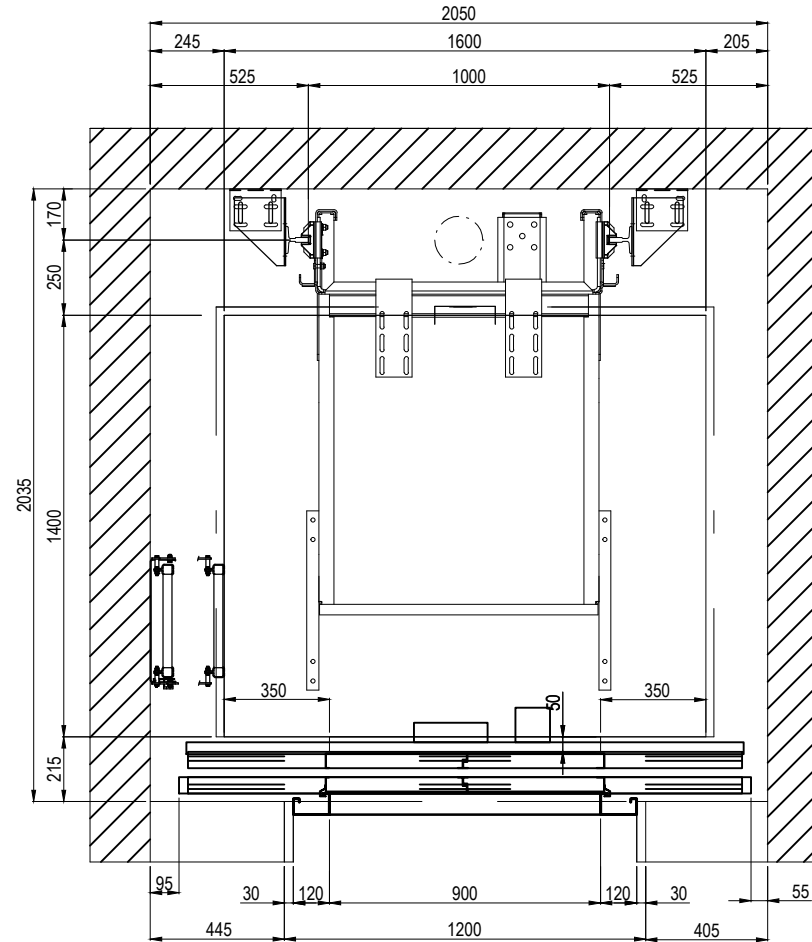


An independent family business since 1867

**Stannah**

# Maxilift 2.0

13 Person (1000kg)  
2C 900 Doors (car size 1600w x 1400d)  
Hydraulic Machine Room



**Waiver:**

This data sheet is for guidance only and must not be used for proper working drawings. Please contact Stannah Lifts for particular details before proceeding. Owing to our policy of continual improvement we reserve the right to alter specifications and dimensions without prior notice

APPROVED 19/02/15

Stannah Lifts Ltd.  
Anton Mill, Andover, Hampshire. SP10 2NX  
Tel: 01264 339090  
[www.stannahlifts.co.uk](http://www.stannahlifts.co.uk)

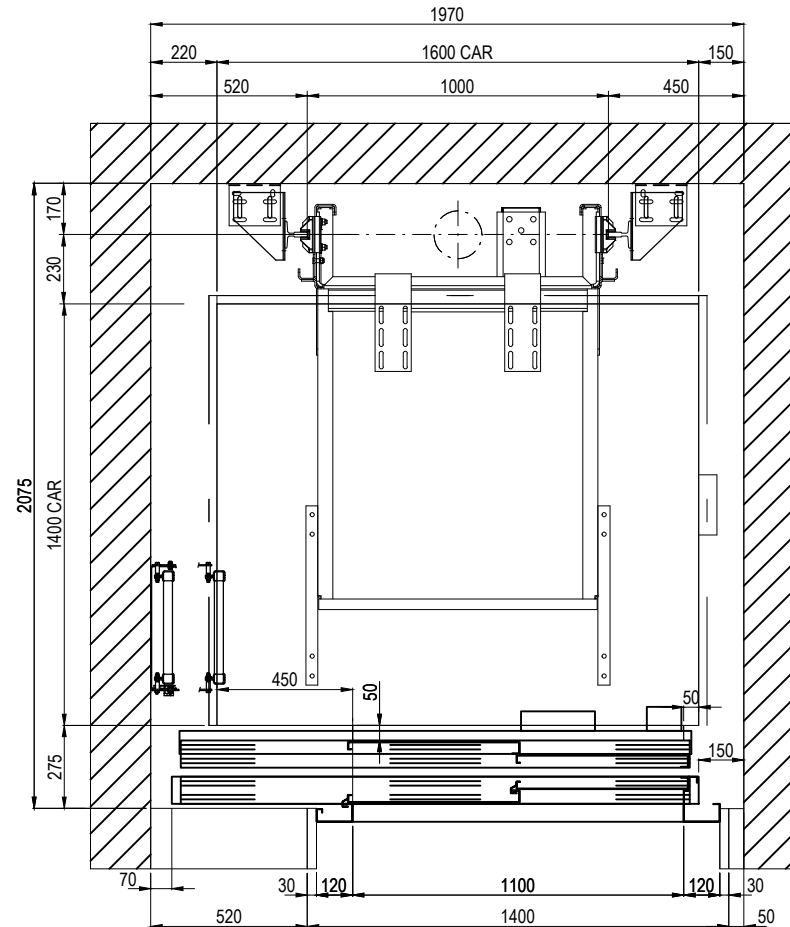


An independent family business since 1867

# Stannah

## Maxilift 2.0

13 Person (1000kg)  
2S 1100 Doors (car size 1600w x 1400d)  
Hydraulic Machine Room



APPROVED 19/02/15

Waiver:

This data sheet is for guidance only and must not be used for proper working drawings. Please contact Stannah Lifts for particular details before proceeding. Owing to our policy of continual improvement we reserve the right to alter specifications and dimensions without prior notice

Stannah Lifts Ltd.  
Anton Mill, Andover, Hampshire. SP10 2NX  
Tel: 01264 339090  
[www.stannahlifts.co.uk](http://www.stannahlifts.co.uk)

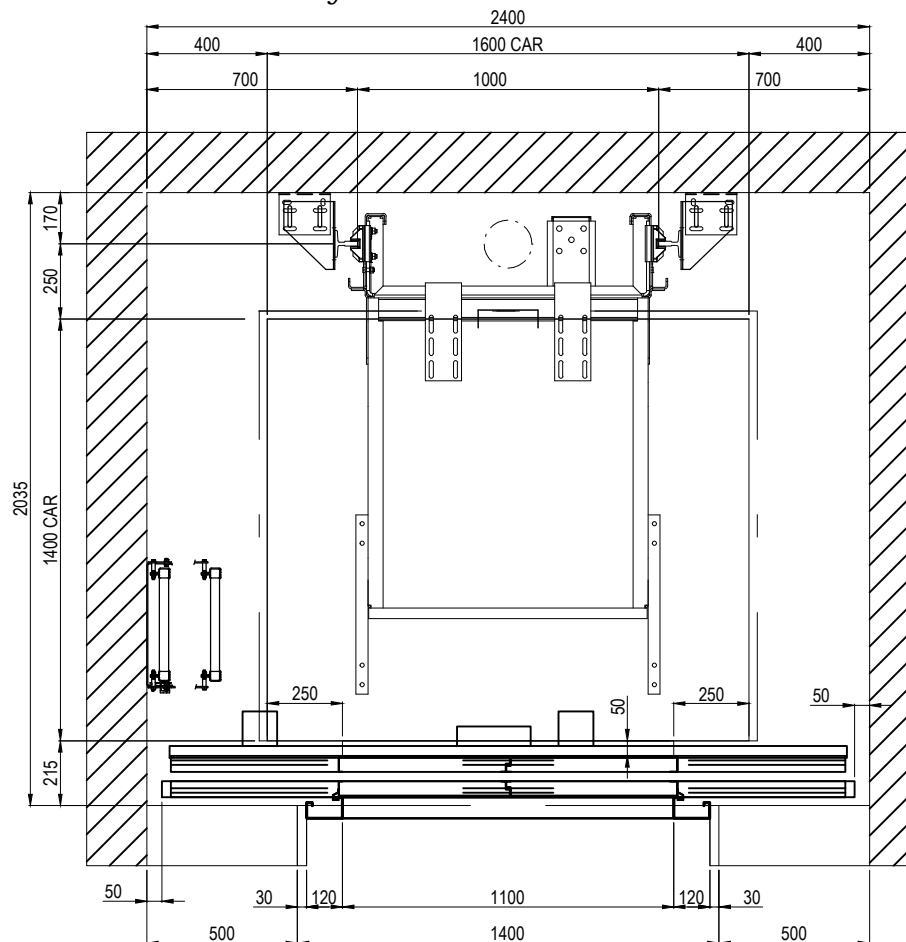


An independent family business since 1867

**Stannah**

# Maxilift 2.0

13 Person (1000kg)  
2C 1100 Doors (car size 1600w x 1400d)  
Hydraulic Machine Room



**Waiver:**

This data sheet is for guidance only and must not be used for proper working drawings. Please contact Stannah Lifts for particular details before proceeding. Owing to our policy of continual improvement we reserve the right to alter specifications and dimensions without prior notice

APPROVED 19/02/15

Stannah Lifts Ltd.  
Anton Mill, Andover, Hampshire. SP10 2NX  
Tel: 01264 339090  
[www.stannahlifts.co.uk](http://www.stannahlifts.co.uk)